



# VENUS series

SPE - FLE / FLM

09/2017

Available from 30W to 100W IP65

Designed for applications in price competitive market

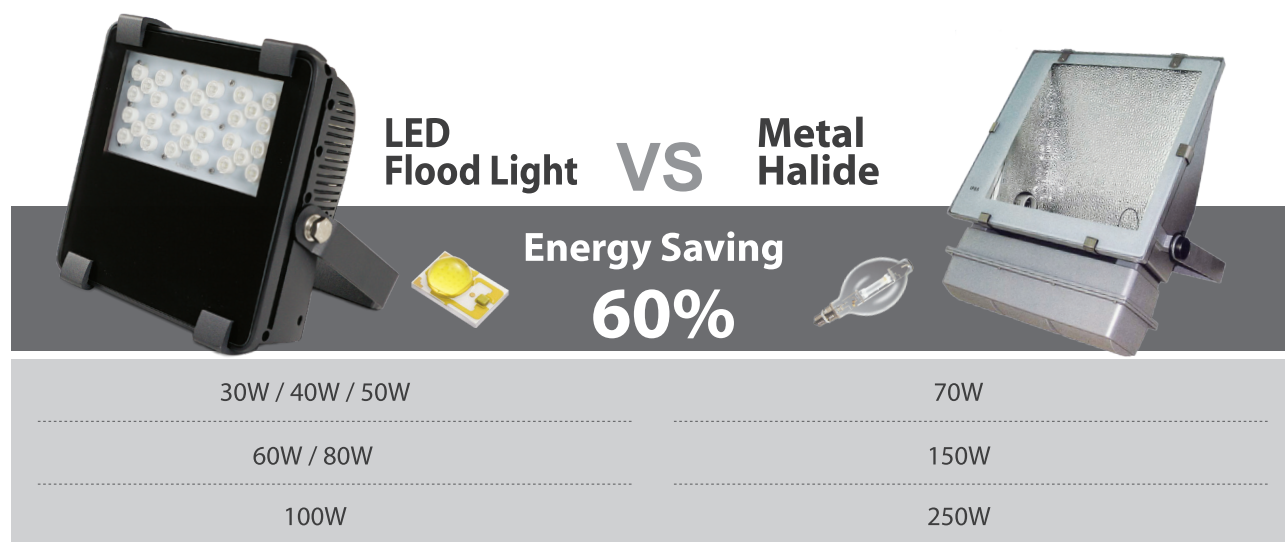
- \* Building facades
- \* Security
- \* Industrial
- \* Signage & Billboards
- \* Landscape
- \* Commercial spaces



## VENUS Series SPE-FLE / SPE-FLM

IP65

### Comparison



30W / 40W / 50W	70W
60W / 80W	150W
100W	250W

### Design Innovation



### ROI Calculation

- 100W LED flood light to replace 250W Metal Halide
- Each LED flood light save 150W
- Assuming 12 hours daily operation time, then each day saves 1.8k/WH
- Annual saving is 657k/WH
- Initial price difference of LED flood light and Metal Halide is around USD 100-120
- Assuming electricity bill USD 0.16/kWH Therefore, the payment period is around 1 year
- Due to long service life (>50,000 hours), the user can extra benefit on saving maintenance cost





# VENUS Series SPE-FLE / SPE-FLM

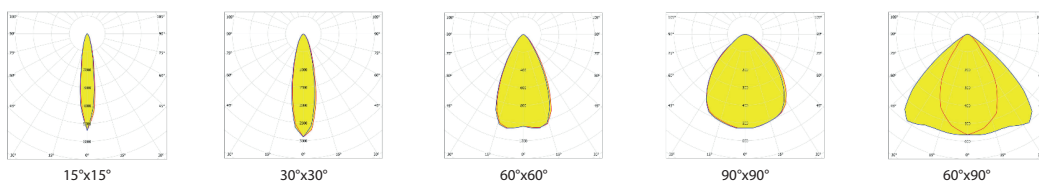
IP65



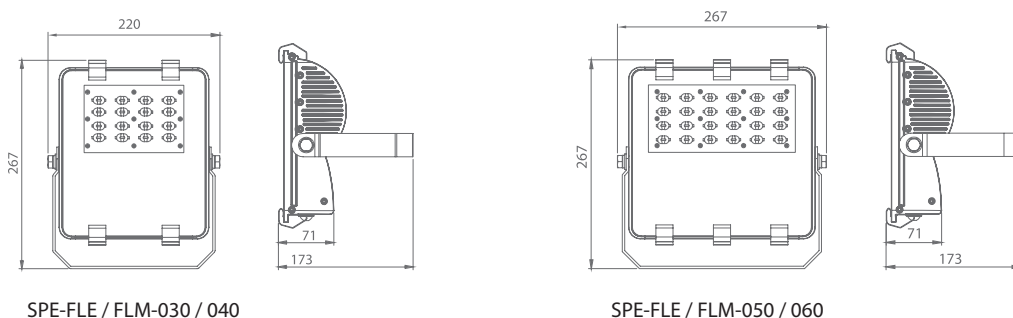
## Parameter

Model No.	SPE-FLE-030 SPE-FLM-030	SPE-FLE-040 SPE-FLM-040	SPE-FLE-050 SPE-FLM-050	SPE-FLE-060 SPE-FLM-060
Input Voltage	100-305VAC	100-305VAC	100-305VAC	100-305VAC
LED Power	30 W	40 W	50 W	60 W
System Power	33 W	44 W	55 W	66 W
Luminous Flux	3,600 lm / 3,300lm (FLM)	4,800 lm / 4,400lm (FLM)	6,000 lm / 5,500lm (FLM)	7,200 lm / 6,600lm (FLM)
System Efficacy	110 lm/W	110 lm/W	110 lm/W	110 lm/W
Beam Angle	SPE-FLE: 15°x15° / 30°x30° / 60°x60° / 90°x90° / 60°x 90° / 85°x45° / 85°x 90° / 60°x135° / 85°x 135°			SPE-FLM: 120°
CCT (K)	3000 / 4000 / 5000 / 6500	3000 / 4000 / 5000 / 6500	3000 / 4000 / 5000 / 6500	3000 / 4000 / 5000 / 6500
CRI	80	80	80	80
Dimmable	1-10V /DALI	1-10V /DALI	1-10V /DALI	1-10V /DALI
Power Factor	> 0.90	> 0.90	> 0.90	> 0.90
Lifespan	50,000 H	50,000 H	50,000 H	50,000 H
Operating Temp.	-40°C ~ + 45°C	-40°C ~ + 45°C	-40°C ~ + 45°C	-40°C ~ + 45°C
Dimension	267 x 220 x 173 mm	267 x 220 x 173 mm	267 x 267 x 173 mm	267 x 267 x 173 mm
Weight (kg)	6,2	6,2	8	8
Certifications	CE, CB, SAA, ETL	CE, CB, SAA, ETL	CE, CB, SAA, ETL	CE, CB, SAA, ETL

## Photometrics



## Dimensions (mm)



# VENUS Series SPE-FLE / SPE-FLM

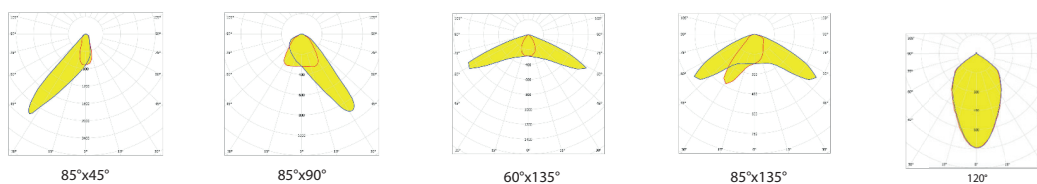
IP65



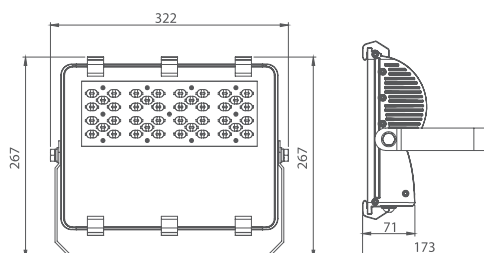
## Parameter

Model No.	SPE-FLE-080 SPE-FLM-080	SPE-FLE-100 SPE-FLM-100
Input Voltage	100-305V AC	100-305V AC
LED Power	80 W	100 W
System Power	88 W	110 W
Luminous Flux	9,600 lm / 8,800lm (FLM)	12,000 lm / 11,100lm (FLM)
System Efficacy	110 lm/W	110 lm/W
Beam Angle	SPE-FLE: 15°x15° / 30°x30° / 60°x60° / 90°x90° / 60°x 90° / 85°x45° / 85°x 90° / 60°x135° / 85°x 135°    SPE-FLM: 120°	
CCT (K)	3000 / 4000 / 5000 / 6500	3000 / 4000 / 5000 / 6500
CRI	80	80
Dimmable	1-10V /DALI	1-10V /DALI
Power Factor	> 0.90	> 0.90
Lifespan	50,000 H	50,000 H
Operating Temp.	-40°C ~ + 45°C	-40°C ~ + 45°C
Dimension	267 x 322 x 173 mm	267 x 322 x 173 mm
Weight (kg)	9,6	9,6
Certifications	CE, CB, SAA, ETL	CE, CB, SAA, ETL

## Photometrics



## Dimensions (mm)



SPE-FLE / FLM-080 / 100